

MX100

INTELLIGENT ADDRESSABLE OPTICAL SMOKE DETECTOR



1330b-(cl-1)



Features and Benefits

- EN54-7:2000 +A1:2002 +A2:2006 Compliance
- LPCB Approved
- Using microprocessor technology with memory capacity up to 10 events
- Analogue sending and digital addressing Provide real time algorithm to the control panel Smart linear drift compensation
- Onsite adjustable parameter
- 360-degree visual indicator
- Removable chamber against dust and small insect
- Ancillary remote indicator output
- Aesthetically pleasing design

Overview

The MX100 Intelligent Addressable Optical Smoke Detector is the ideal device for most applications, due to its spiffing linear response to a wide variety of different types of smoke patterns. The detector sensitivity is manufactured to the requirement of EN 54 part 7, European Standard. It is aesthetically pleasing with unobtrusive design that will complement modern building designs. The unit incorporates an intelligent processor that provides Algorithm map, inbuilt A/D converter, Drift compensation, and Self-Diagnosis and History log.

Secure and speedy communication through the on-board processor enables the detector to make its own decision, resulting in greater automation. In the event of fire, the integral microprocessor analyses the signal according to factors such as signal strength and rate of increase, then confirms these patterns with the pre-programmed fire scenarios and smoke patterns, for a faster and safer response. Once it is confirmed, the LED indicates the sensor status and concurrently transmit communication signal to the Control Panel. The MX100 detector is compatible to the MX Series Analogue Intelligent Fire Alarm Control Panel, produced by single manufacturer, to avoid any compatibility problem.

Multron Systems Pte Ltd

217 Kallang Bahru, Multron Building
Singapore 339 347

☎ : (65) 6395 6868

📠 : (65) 6395 6869

✉ : info @ multron.com.sg

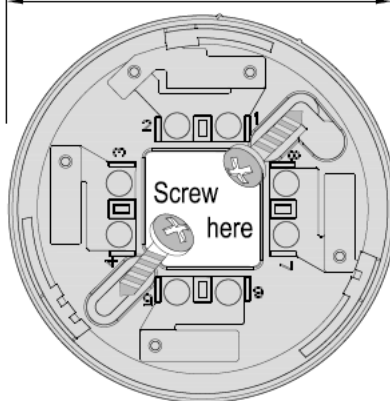
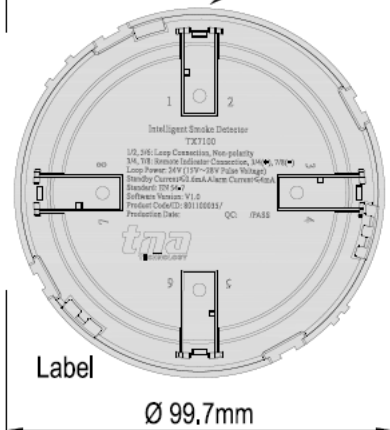
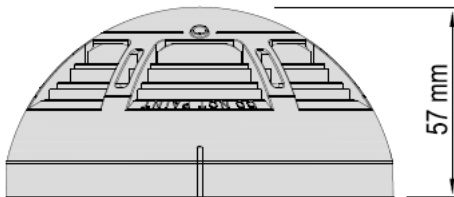
DATA SHEET

Copyright © The information contained in this Data Sheets remains the property of Multron Systems Pte Ltd, and is not to be altered or reproduce without permission. Multron reserves the right to change any specification without prior notice.

Version : 31-03-2018

Technical Specification

Listed Compliance	LPCB / CE-CPR	
	EN54-7:2000 +A1:2002 +A2:2006	
Input Voltage	24VDC [16V to 28V]	
Current Consumption	Standby : 0.6mA	Alarm : 4mA
Protocol / Addressing	Proprietary	Value range from 1 to 254
Sensitivity	As per stipulated standard	
Indicator	Single LED, 360-degree Visual	
Material / Colour	ABS, White Glossy finishing	
Dimension	Ø 99.7mm x 57mm Height	
Weight	145g (with Base)	90g (without Base)
Operating Temperature	-10°C to +50°C	
Humidity	0 to 95% Relative Humidity, Non condensing	
Ingress Protection	IP42	



Standard Base

Terminal Description

- 1 Signal In (+)
- 2 Signal Out (+)
- 3 Remote Indicator (+)
- 4 Remote Indicator (+)
- 5 Signal In (-)
- 6 Signal In (-)
- 7 Remote Indicator (-)
- 8 Remote Indicator (-)

