

MX140

ADDRESSABLE MANUAL CALL POINT

Innovative Resettable 'Breakglass'.....

...with the look and feel of a real Breakglass, but without the trouble of replacement after activation....

Position Finger
onto 'Breakglass'

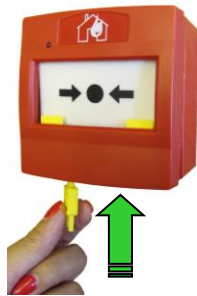


- 1) Manual Call Point in its normal condition.
- 2) Position your finger onto the centre of the 'Breakglass'.

Press Hard
To Activate



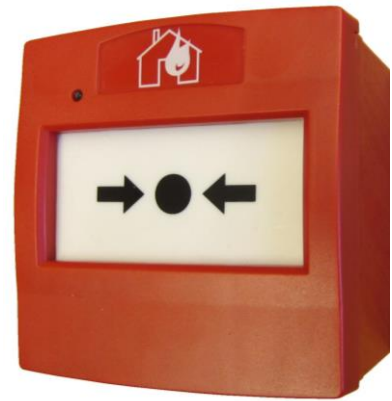
- 3) To activate, press the 'Breakglass' and it will snap backwards
- 4) Yellow indicators will spring upwards to indicate activation



- 5) To reset, insert the special Key at the bottom reset keyhole of the Manual Call Point



- 6) Twist the Key and the 'Breakglass' will snap forward to its original position
- 7) The Manual Call Point is now reinstated or reset to its normal condition



1330g-(cl-1)

Features and Benefits

- EN 54-11:2001 + A1:2005
- LPCB Approved
- Using microprocessor technology
- Digital addressing
- Resettable Non-breakable Glass

Overview

The MX140 Addressable Manual Call Point uses a Resettable Non-breakable Glass which is designed to activate when pressed to trigger the Call Point into an alarm condition. With LED indicator mounted at the front, activated Call Point could easily be identified. A special key is used to reset the Call Point at the bottom.

In the event of a fire, once it is pressed, the LED goes on indicate the call point status and concurrently send signal to the Control Panel. The MX140 manual call point is compatible to the MX series Intelligent Addressable Fire Alarm System, produced by single manufacture to avoid addressable communication compatibility problem.

Multron Systems Pte Ltd

217 Kallang Bahru, Multron Building
Singapore 339 347

☎ : (65) 6395 6868

☎ : (65) 6395 6869

✉ : info @ multron.com.sg

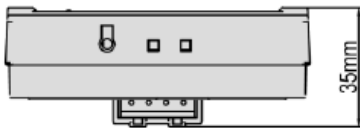
DATA SHEET

Copyright © The information contained in this Data Sheets remains the property of Multron Systems Pte Ltd, and is not to be altered or reproduce without permission. Multron reserves the right to change any specification without prior notice.

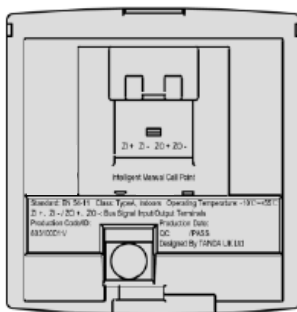
Version : 31-03-2018

Technical Specification

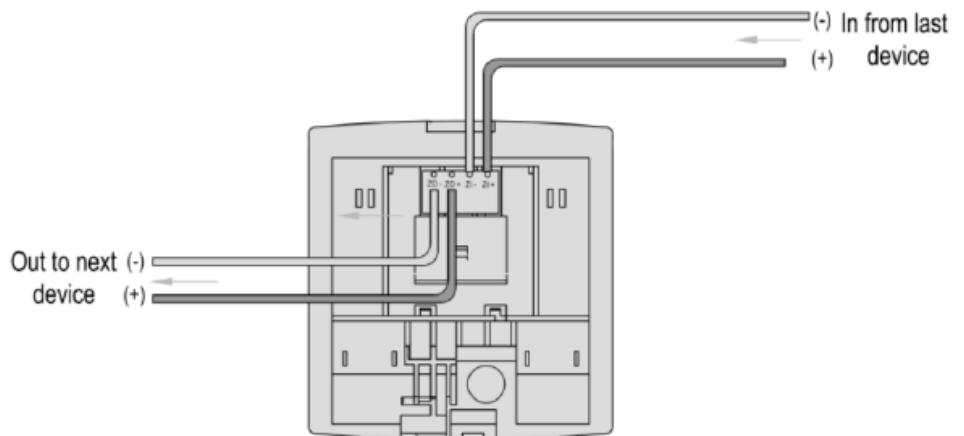
Approvals & Standards	LPCB / CE-CPR , EN 54-11:2001 +A1:2005	
Input Voltage	24VDC (16V to 28V)	
Current Consumption	Standby : 0.6mA	Alarm : 1.8mA
Protocol/Addressing	Proprietary	Value range from 1 to 254
Indicator	Single LED	Steady On (When Activated)
Material / Colour	Fire-Retardant ABS	RED Glossy finishing
Dimension	89 mm x 93 mm x 35 mm	
Weight	102g (with Base)	80g (without Base)
Class	Type A , For Indoor	
Operating Temperature	-10°C to +55°C	
Ingress Protection Rating	IP43	
Humidity	0 to 95% Relative Humidity, Non condensing	



Top view

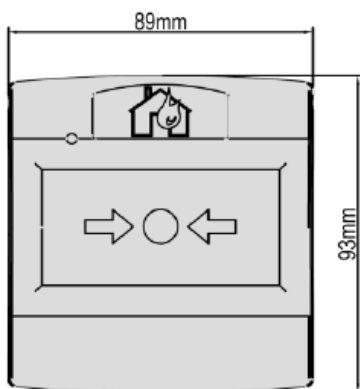


Label



Terminal Description

- Z1 Signal In (+)
- Z1 Signal Out (+)
- Z2 Signal In (-)
- Z2 Signal Out (-)



Call Point