

MX232

Base Mount Short Circuit Isolator



Features and Benefits

- EN54-17 Compliance
- In the event of a short circuit, it isolates the faulty part of the loop
- Automatically reset once the fault is cleared
- LED status indicator
- Loop powered device
- Aesthetically pleasing design
- Could be used independently as an Isolator (with protective cover), or as a Detector Base which will fit the MX7 range of Detectors

Overview

The MX232 is manufactured in compliance to the requirement of EN 54 part 17, European Standard. In the event of short circuit on the detection loop, the Isolators at both sides of the fault will detect the problem and open circuit to isolate this faulty part of the loop, enabling other devices on the unaffected part of the loop to operate normally. The isolator will continue to monitor for the fault, and once the fault is cleared or repaired, the isolator will automatically reinstate the effected part of the loop.

The unit is aesthetically pleasing with unobtrusive design that will complement modern building designs and its plug-in type assemblies make installation and maintenance more convenient to the installer. The Isolator is compatible to the MX7 series of Addressable Fire Alarm Panel, produced by a single manufacturer to ensure addressable communication compatibilities.

Multron Systems Pte Ltd

217 Kallang Bahru, Multron Building
Singapore 339 347

☎ : (65) 6395 6868

📠 : (65) 6395 6869

✉ : info @ multron.com.sg

DATA SHEET

Copyright © The information contained in this Data Sheets remains the property of Multron Systems Pte Ltd, and is not to be altered or reproduce without permission. Multron reserves the right to change any specification without prior notice.

Version : 16-05-2018

Technical Specification

Standards / Compliance	EN54-17
Input Voltage	24VDC [16V to 28V]
Current Consumption	Standby : $\leq 0.15\text{mA}$, Alarm: $\leq 2\text{mA}$
Protocol	Proprietary
Number of monitored	Max 70 Devices
Output Impedance	480 m Ω
Indicator Status	Normal: Single blink / active: Steady-on
Material / Colour	ABS / White Glossy finishing
Dimension / LWH	Diameter 100.7mm, Thickness 34mm
Weight	108g (with Cover), 91g (without Cover)
Humidity	0 to 95% Relative Humidity, Non condensing

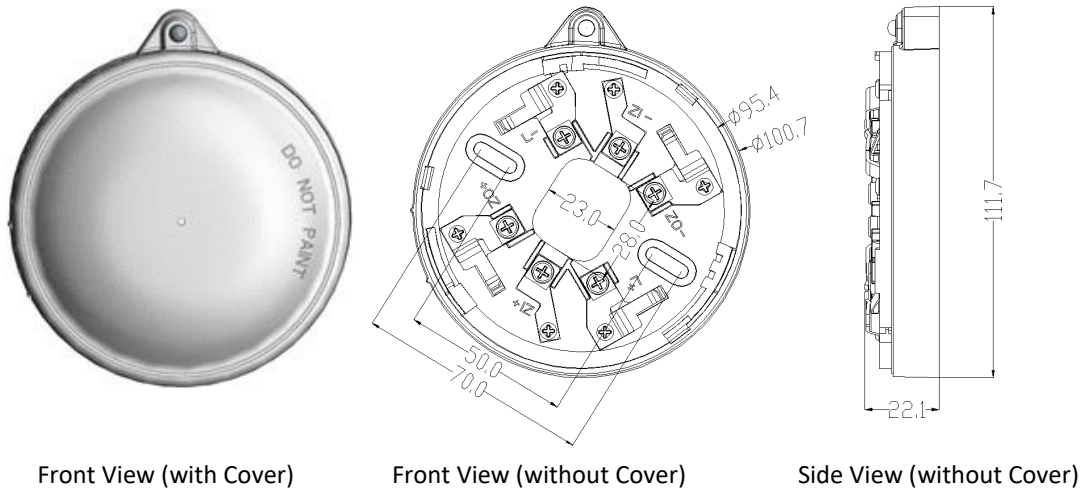


Figure 1 External view of Base Mount Short Circuit Isolator

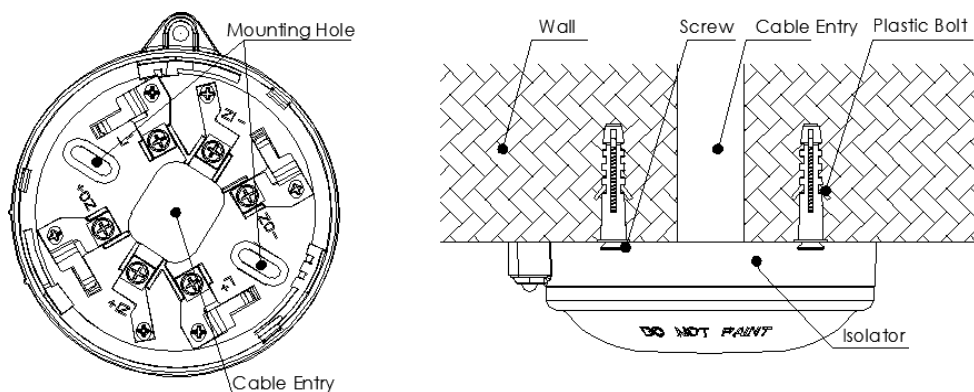


Figure 2 Wiring Diagram

DATA SHEET