

MX300

Addressable Sounder and Strobe



1330d-(cl-1)

Features and Benefits

- EN54-3:2001+A1:2002 + A2:2006 Compliance
- Built-in MCU Processor with Digital Addressing
- 17 tones Programmable Sound Output
- Programmable types such as Sounder-Strobe, Sounder or Strobe alone
- Programmable Evacuate or Pre-Alarm/Evacuate signal
- Low and normal consumption mode
- One or Two addresses mode
- 10 Hi-Luminance LED status cluster
- Onsite Adjustable Parameters
- Loop or External Power input
- Aesthetically pleasing design
- Surface mounting with Base for ease of installation

Overview

The MX300 Addressable Sounder Strobe is an Audio & Visual alarm warning device used to notify personnel in the vicinity during the occurrence of fire, in order that appropriate measures could be taken. The unit adopt multi- application configuration starting from the types, parameters and wiring layout in a single unit. The MX300 can change into different alarm warning types such as sounder-strobe type, sounder type or strobe type using programming tools. In addition, parameters can be configured according to the requirement which include alarm tone from 17 different tones, single address or dual address mode and also setting of power mode to low current consumption by means of simple programming.

Manufactured in compliance to European Standards, EN 54 Part 3, the unit is aesthetically pleasing with unobtrusive design that will complement modern building designs. . The Plug-in type construction enables ease of installation and maintenance.

The MX300 Addressable Sounder Strobe is compatible to the MX Series Intelligent Addressable Fire Alarm System, produced by single manufacturer to avoid addressable communication compatibility problem.

Multron Systems Pte Ltd

217 Kallang Bahru, Multron Building
Singapore 339 347

☎ : (65) 6395 6868

☎ : (65) 6395 6869

✉ : info @ multron.com.sg

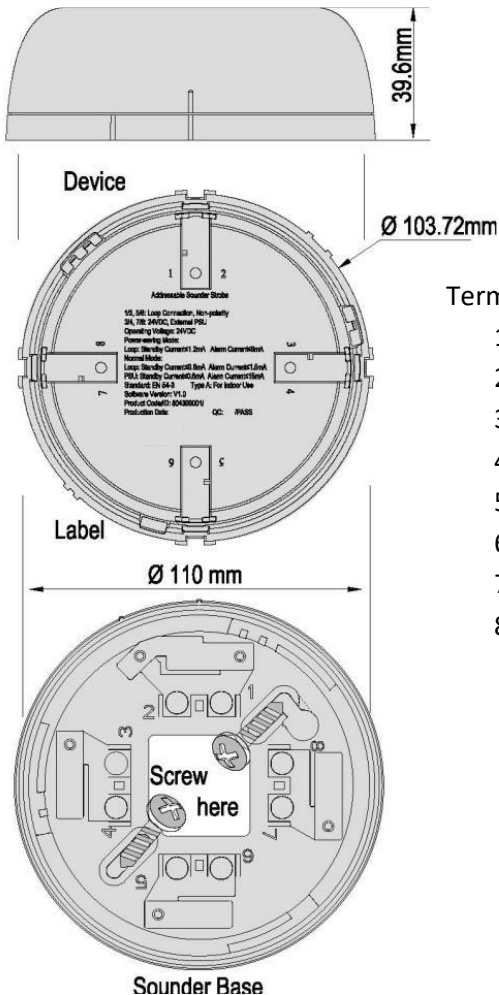
DATA SHEET

Copyright © The information contained in this Data Sheets remains the property of Multron Systems Pte Ltd, and is not to be altered or reproduce without permission. Multron reserves the right to change any specification without prior notice.

Version : 31-03-2018

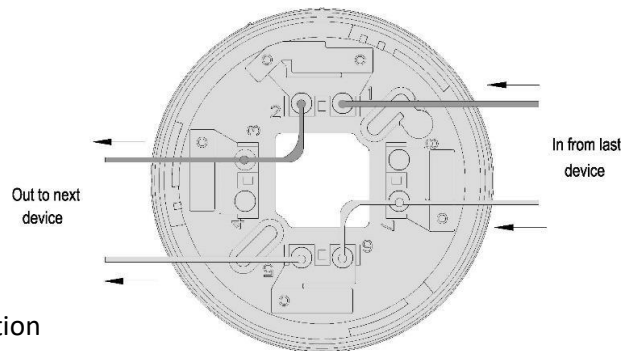
Technical Specification

Approvals and Standards	LPCB / CE-CPR, EN54-3:2001+A1:2002 + A2:2006	
Input Voltage	Loop Power: 24VDC (18V to 27.5V)	
Power Source	Loop Powered	Loop with External PSU: 24 VDC (20V to 27.5V)
Typical Current	Standby : 0.6mA	Standby : 0.6mA
	Alarm : 1.5mA	Alarm : 15mA
Saving Current	Standby 1.2mA, Alarm: 9mA	
Protocol/Addressing	Proprietary	Value range from 1 to 254
Tones	17 Tones (refers to Manual)	
Address Sequence	Single Address : Evacuate Tone	
Dual Address	1 st Alert Tone	2 nd Evacuate tone
Strobe Light	10 Hi-Luminance LED	
Material / Colour	ABS	RED Glossy finishing
Dimension	Ø110 mm x 39.6mm (with Base)	
Weight	176g (with Base)	110g (Without Base)
Class	Type A, Indoors	
Operating Temperature	-10°C to +50°C	
Ingress Protection Rating	IP21	
Humidity	0 to 95% Relative Humidity, Non condensing	

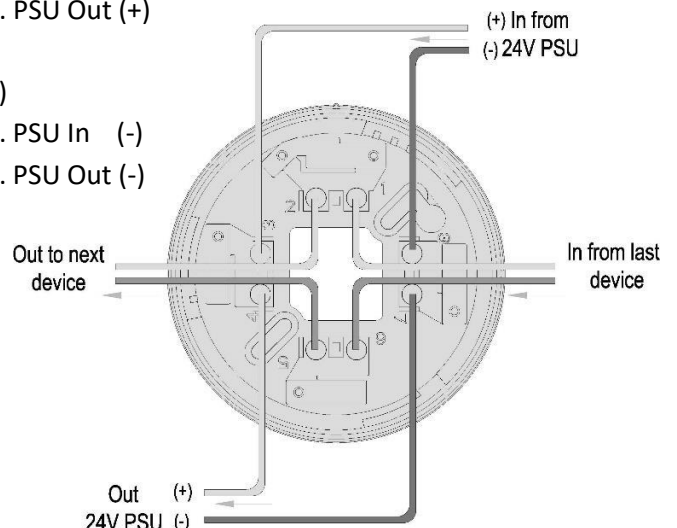


Termination Description

- 1 Signal In (+)
- 2 Signal Out (+)
- 3 Optional Ext. PSU In (+)
- 4 Optional Ext. PSU Out (+)
- 5 Signal In (-)
- 6 Signal Out (-)
- 7 Optional Ext. PSU In (-)
- 8 Optional Ext. PSU Out (-)



Loop Powered Wiring Details



With External PSU Wiring Details