

MX302

ADDRESSABLE

SOUNDER STROBE BASE



Features and Benefits

- EN54-3 Compliance
- Built-in MCU processor with Digital Addressing
- 17 tones Programmable Sound Output
- Encoding modes such as Single-encoding, Dual-encoding Mode 1 and Dual-encoding Mode 2
- Programmable Evacuate or Pre-alarm/Evacuate signal
- 10 Highlights LED status cluster
- Onsite Adjustable Parameters
- Loop Power input
- Aesthetically pleasing design
- Universal mounting with fix base for simple installation

Overview

The MX302 Addressable Sounder Strobe Base is an alarm warning device used to notify persons in the vicinity of the occurrence fire emergency in order the person to take appropriate measures. The unit adopt multi-application device starting from the types, parameters and wiring layout in single unit. The MX302 Addressable Sounder Strobe Base is powered by the communication bus. The MX302 can change into different encoding modes such as Single-encoding Mode, Dual-encoding Mode 1 and Dual-encoding Mode 2 using a programming tool. And it has different starting modes such as started by a detector, a controller or other front-end linkage. In addition, the alarm tone can be configured according to the requirement from 17 different tones.

The unit manufactured base on the requirement of EN 54 part 3, European Standard. The unit is aesthetically pleasing with unobtrusive design that will complement modern building designs and its plug-in type assembles make installation and maintenance more convenient to the installer. The unit is compatible to the MX700 Analogue Intelligent Fire Alarm Control Panel, produced by single manufacture to avoid addressable communication compatibility problem.

Multron Systems Pte Ltd

217 Kallang Bahru, Multron Building
Singapore 339 347

☎ : (65) 6395 6868

☎ : (65) 6395 6869

✉ : info @ multron.com.sg

DATA SHEET

Copyright © The information contained in this Data Sheets remains the property of Multron Systems Pte Ltd, and is not to be altered or reproduce without permission. Multron reserves the right to change any specification without prior notice.

Version : 02-07-2018

Technical Specification

Listed	LPCB Pending	
Compliance	EN54-3	
Input Voltage	Loop Power: 24VDC (16V to 28V)	
Current Consumption	Standby : $\leq 0.8\text{mA}$	Alarm : $\leq 5\text{mA}$
Protocol/Addressing	Proprietary	Value range from 1 to 254
Address Sequence	Single -encoding Mode: Alarm Dual-encoding Mode 1: 1 st Alarm / 2 nd Warning Dual-encoding Mode 2: 1 st Warning / 2 nd Alarm	
Strobe Light	8 Highlights LED	
Material / Colour	ABS	White Glossy finishing
Dimension / Height	Diameter 140mm / 59.1mm (with a cover)	
Weight	198g (With cover)	180g (Without cover)
Class	Type A, Indoors	
Operating Temperature	-10°C to +55°C	
Ingress Protection Rating	IP30	
Humidity	0 to 95% Relative Humidity, Non condensing	

Multron Systems Pte Ltd217 Kallang Bahru, Multron Building
Singapore 339 347

☎ : (65) 6395 6868

☎ : (65) 6395 6869

✉ : info @ multron.com.sg

DATA SHEET

Copyright © The information contained in this Data Sheets remains the property of Multron Systems Pte Ltd, and is not to be altered or reproduce without permission.

Multron reserves the right to change any specification without prior notice.

Version : 02-07-2018

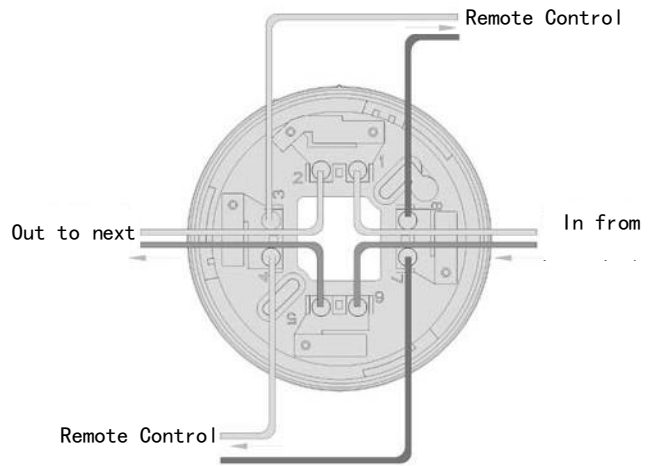
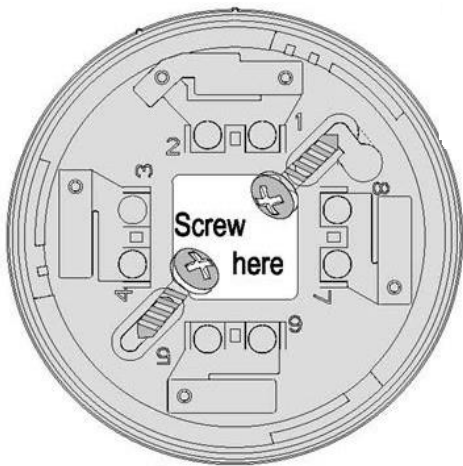


Fig.1 base structure and the terminals connection diagram

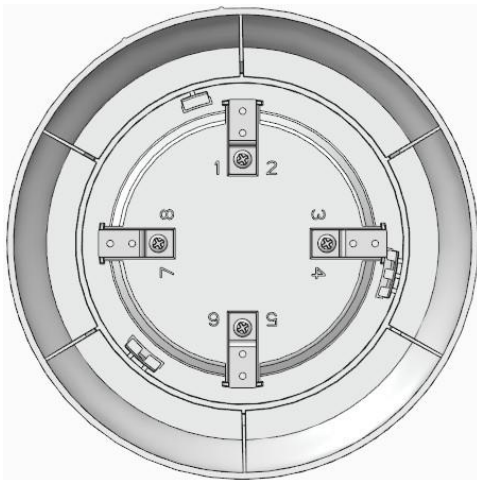


Fig.2 Bottom structure of the Base

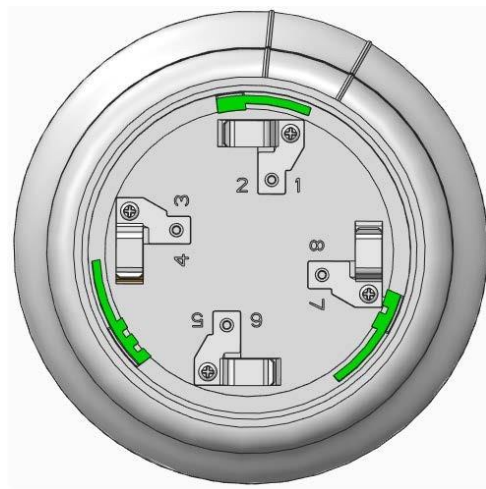


Fig.3 Top structure of the Base

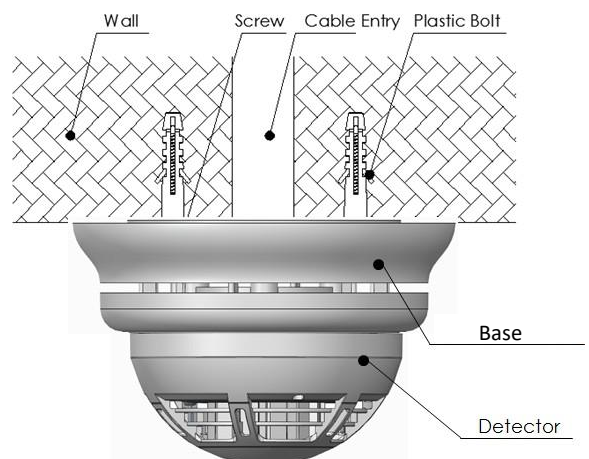
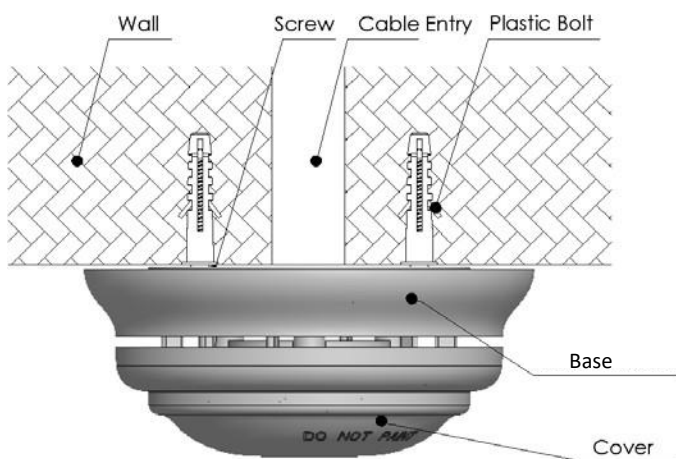


Fig.4 Addressable Flashing Beacon Base with an upper cover or a detector

Multron Systems Pte Ltd

217 Kallang Bahru, Multron Building
Singapore 339 347

☎ : (65) 6395 6868

☎ : (65) 6395 6869

✉ : info @ multron.com.sg

DATA SHEET

Copyright © The information contained in this Data Sheets remains the property of Multron Systems Pte Ltd, and is not to be altered or reproduce without permission. Multron reserves the right to change any specification without prior notice.

Version : 02-07-2018