

# MULTRON®

## CONVENTIONAL FIRE ALARM PANEL

## CFP600 Series

The CFP-600 Series of Fire Alarm Panel uses the latest in micro-processor technology to meet today's stringent requirement for a comprehensive and versatile range of Fire Alarm Systems

Design for ease in installation and operation, the control functions and programming are enable through a key-switch to prevent unauthorised access.

Operation of the Panel is made simple with frontal indications and switches, providing a cost effective solution for small to mid-size Fire Alarm Systems.

*Providing a Simple &...  
Cost Effective Solution...  
For Your Fire Alarm Systems*





**TYPICAL FIRE ALARM PANEL PHYSICAL DIMENSION**

**Technical Specifications :-**

Mains Voltage	230VAC ± 15% @ 50 Hz
System Operating Voltage	24VDC ± 15%
Detection Circuit Static Current	2.4mA (Based on 20 conventional detectors)
Resistance for Alarm Activation	330Ω to 1.2KΩ
End-of-Line Resistor	4.7KΩ
Sounder Output Circuit	1 amp (Total Current Output)
'Fire' Output Contact	N/O or N/C Voltage-Free Contact (Selectable)
'Fault' Output Contact	N/O or N/C Voltage-Free Contact (Selectable)
Aux. Power Output	24VDC @ 0.5amp
Operating Temperature	-10°C to 45°C
Relative Humidity	95%, Non-Condensing
IP Rating	IP30
Packing Carton Size	400mm x 325mm x 120mm
Estimated Weight	4.2kg (Exclude Standby Batteries)

Model No.	Zoning
CFP600-L04-S	4- Zone
CFP600-L08-S	8-Zone
CFP600-L12-S	12-Zone
CFP600-L16-S	16-Zone

**FEATURES :-**

- Designed to EN54 Parts 2 & 4 Standards
- Standard Outputs Provided :-
  - 2 Sounder Outputs
  - 1 Fire Alarm Output
  - 1 Fault Output
  - 1 Auxiliary 24VDC Output
  - 1 Auxiliary 24VDC Output (with Reset)
- Key Switch Controlled Access Level
- Convenient Slot-in Zone Self-Labeling
- Modular in Construction
- Colour Symbols & Indicators for ease of identification & usage

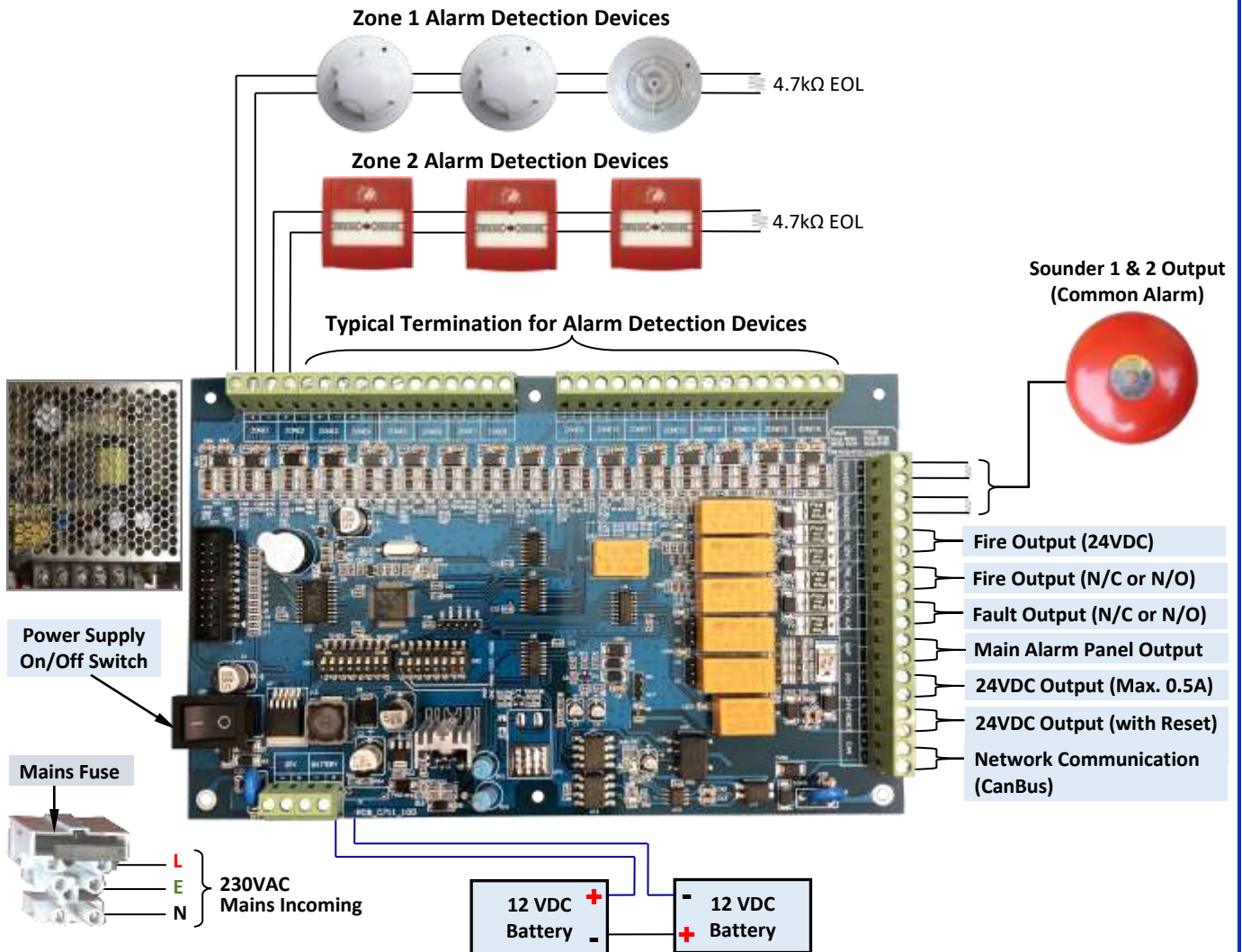




System Status LED Indicators, Control Pushbuttons & Control Access Key-Switch

Zone Fire, Fault & Disable LED Indicators & Disable Pushbuttons

**TYPICAL 16-ZONE PANEL FACIAL LAYOUT**



**TYPICAL TERMINATION DIAGRAM**



*Our Regional Distribution Network  
Provides Seamless and Efficient  
Customers' Service...*



*Another Quality Product by :-*

**Multron Systems Pte Ltd**

217 Kallang Bahru,  
Multron Building  
Singapore 339 347

Tel : +65 6395 6868  
Fax : +65 6395 6869  
Email : [info@multron.com](mailto:info@multron.com)

*Visit us at :* **[www.multron.com](http://www.multron.com)**

Due to constant improvement in our products, we reserved the right to modify or withdraw any product or service without prior notice.

Version : 30-08-2016