

# MX210

## ADDRESSABLE SINGLE INPUT / OUTPUT MODULE



### Features and Benefits

- EN54-18:2005 Compliance
- LPCB Approved
- Built-in MCU Processor with Digital Addressing
- 24Vdc/3A Output Relay Contact and Control Module
- Input Fire or Supervisory signal configuration
- LED Status Indicator
- Onsite Adjustable Parameter
- Loop or External Power Input
- Aesthetically pleasing design
- Surface mounting with Base for ease of installation



### Overview

The MX210 Addressable Single Input /Output Module is characterised as one input or output voltage-free relay and control module. The unit is normally used for triggering equipment such as Lift Homing, Door Magnetic Holders, Smoke Extraction Fans, Air Handling Units, BMS, and etc. with built-in feedback signal feature. Based on pre-configured interface module command fire scenario, the Alarm Panel can send out 'start' command to the equipment that requires to be started. After receiving the command, the Output Module enables its relay to switch over. Once the module has operated, a confirmation signal will be sent back to the Alarm Panel. In addition, the unit incorporates an intelligent processor that provides automatic monitoring for both open and short circuit of the input signal line.

Manufactured in compliance to European Standards, EN 54 Part 18, the unit is aesthetically pleasing with unobtrusive design that will complement modern building designs. The Plug-in type construction enables ease of installation and maintenance.

The unit incorporates an intelligent processor that provides automatic monitoring for both open and short circuit of the input signal line. The MX210 Module is compatible to the MX Series Intelligent Addressable Fire Alarm System, produced by single manufacturer to avoid addressable communication compatibility problem.

---

### Multron Systems Pte Ltd

217 Kallang Bahru, Multron Building  
Singapore 339 347

☎ : (65) 6395 6868

☎ : (65) 6395 6869

✉ : info @ multron.com.sg

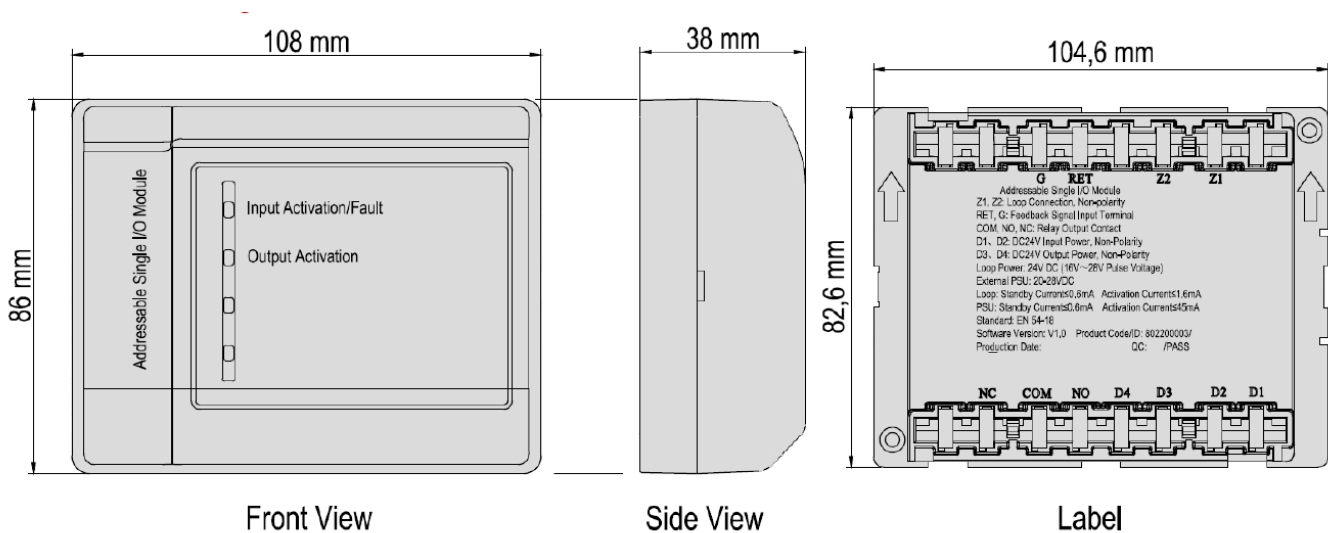
### DATA SHEET

Copyright © The information contained in this Data Sheets remains the property of Multron Systems Pte Ltd, and is not to be altered or reproduce without permission. Multron reserves the right to change any specification without prior notice.

Version : 31-03-2018

### Technical Specification

<b>Approvals and Standards</b>	LPCB / CE-CPR , EN54-18:2005		
<b>Input Voltage</b>	Loop Powered : 24VDC (16V to 28V)		External PSU : 20 to 28VDC
<b>Current Consumption</b>	Loop :		External PSU :
	Standby : 0.6mA	Alarm : 1.6mA	Standby : 0.6mA    Alarm : 45mA
<b>Control output voltage</b>	24VDC		2A rating
<b>Input Relay</b>	Normally-Open Dry Contact		
<b>Input Resistance</b>	5.1Kohm, ¼ W		
<b>Protocol/Addressing</b>	Proprietary		Value range from 1 to 254
<b>Indicator Status</b>	Normal : Single blink	Active : Steady	Fault : Double Blink
<b>Material / Colour</b>	ABS		White Glossy finishing
<b>Dimension</b>	108mm Width x 86mm Height x 38mm Depth		
<b>Weight</b>	170g (with Base)		92g (without Base)
<b>Temperature</b>	-10°C to +50°C		
<b>Ingress Protection Rating</b>	IP30		
<b>Humidity</b>	0 to 95% Relative Humidity, Non condensing		



### Terminal Description

Z1 Signal In (+)	D1 External Power Supply In (+)
Z1 Signal Out (+)	D2 External Power Supply In (-)
Z2 Signal In (-)	D3 Not Use
Z2 Signal Out (-)	D4 Not Use
RET Input Cable	COM Output Cable
G Input Cable	NO, NC Output Cable