

MX220

ADDRESSABLE DUAL INPUT / OUTPUT MODULE



Features and Benefits

- EN54-18 Compliance
- Built-in MCU Processor with Digital Addressing
- Two circuits 24Vdc/3A Output Relay Contact and Control Module
- Two circuits Input Fire or Supervisory Signal Configuration
- Disable & Enable Input and Output cable monitored
- LED status indicator
- Onsite Adjustable Parameter
- Loop or External Power input
- Aesthetically pleasing design
- Surface Mounting with Base for ease of installation



Overview

The MX220 Addressable Dual Input /Output Module is characterised as one input or output voltage-free relay and control module. The unit is normally used for triggering equipment such as Lift Homing, Door Magnetic Holders, Smoke Extraction Fans, Air Handling Units, BMS, and etc. with built-in feedback signal feature. Based on pre-configured interface module command fire scenario, the Alarm Panel can send out 'start' command to the equipment that requires to be started. After receiving the command, the Output Module enables its relay to switch over. Once the module has operated, a confirmation signal will be sent back to the Alarm Panel. In addition, the unit incorporates an intelligent processor that provides automatic monitoring for both open and short circuit of the input signal line.

Manufactured in compliance to European Standards, EN 54 Part 18, the unit is aesthetically pleasing with unobtrusive design that will complement modern building designs. The Plug-in type construction enables ease of installation and maintenance.

The unit incorporates an intelligent processor that provides automatic monitoring for both open and short circuit of the input signal line. The MX210 Module is compatible to the MX Series Intelligent Addressable Fire Alarm System, produced by single manufacturer to avoid addressable communication compatibility problem.

Multron Systems Pte Ltd

217 Kallang Bahru, Multron Building
Singapore 339 347

☎ : (65) 6395 6868

☎ : (65) 6395 6869

✉ : info @ multron.com.sg

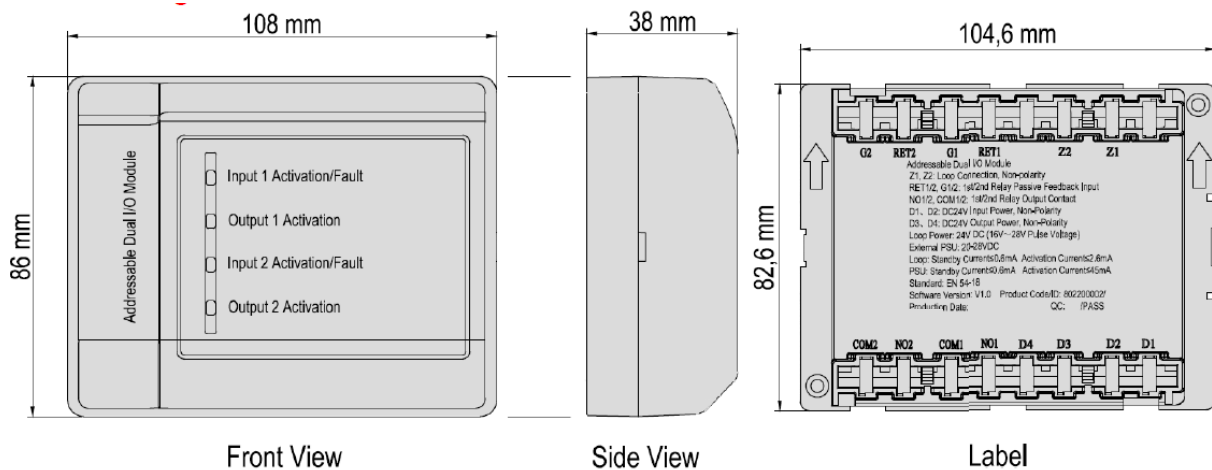
DATA SHEET

Copyright © The information contained in this Data Sheets remains the property of Multron Systems Pte Ltd, and is not to be altered or reproduce without permission. Multron reserves the right to change any specification without prior notice.

Version : 31-03-2018

Technical Specification

Approvals and Standards	LPCB Pending , EN54-18:2005			
Input Voltage	Loop Power:24VDC [16V to 28V]		External PSU: 20 to 28VDC	
Current Consumption	Loop :		External PSU :	
	Standby : 0.6mA	Alarm : 2.6mA	Standby : 0.6mA	Alarm : 45mA
Control output voltage	24VDC		3A rating (per circuit)	
Input Relay	Normally-Open Dry Contact			
Input Resistance	5.1Kohm ¼ W			
Protocol/Addressing	Proprietary		Value range from 1 to 254	
Indicator Status	Normal : Single blink	Active : Steady	Fault : Double Blink	
Material / Colour	ABS		White Glossy finishing	
Dimension	108mm Width x 86mm Height x 38mm Depth			
Weight	182g (with Base)		100g (without Base)	
Operating Temperature	-10°C to +50°C			
Ingress Protection Rating	IP30			
Humidity	0 to 95% Relative Humidity, Non condensing			



Terminal Description

- Signal In (+)
- Z1 Signal Out (+)
- Z2 Signal In (-)
- Z2 Signal Out (-)
- RET 1 Input Cable (Circuit 1); RET 2 Input Cable (Circuit 2)
- G 1 Input Cable (Circuit 2); G 2 Input Cable (Circuit 2)
- D1 External Power Supply In (+)
- D2 External Power Supply In (-)
- D3 Not Use
- D4 Not Use
- COM1 Output Cable (Circuit 1); COM2 Output Cable (Circuit 2)
- NO1 Output Cable (Circuit 1); NO2 Output Cable (Circuit 2)