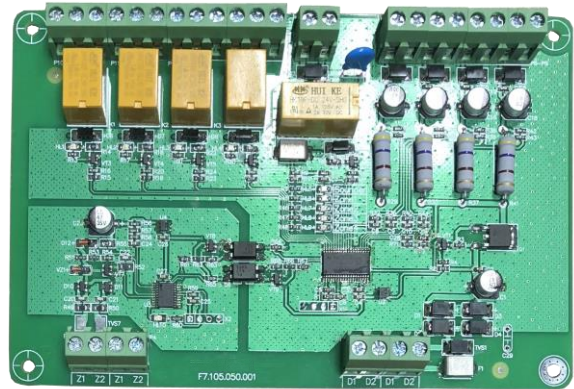


# MX221

## Multichannel I/O Module (4-In / 5-Out)



### Features and Benefits

- A non-polar bus of two wire
- 4 x Input for Zone Detection (To interface with Conventional Devices),  
4 x Auxiliary Contact Output (Voltage-Free),  
1 x Supervised Sounder Output
- Filter technology is used to improve the anti-interference capabilities of the module
- Supplied as a PCB for convenience to be mounted inside any suitable equipment at site  
(PVC Housing may be ordered separately, if required)

### Overview

The Multichannel Input and Output module (hereinafter referred to as module) is a dedicated loop bus module device for fire protection, which is compatible to the MX7 series of Addressable Fire Alarm Panel.

Ideally used in a hybrid Fire Alarm System, whereby conventional devices (eg. Smoke and Heat Detectors) are to be interfaced with the Addressable Fire Alarm Panel as detection zones.

4 x Input Zone to interface with conventional devices are provided in each module.

The module also has built-in 4 x Auxiliary Contact Output, and 1 x Sounder Output, to cater for any surrounding auxiliary outputs that may be needed, and 1 x sounder output for Alarm Bells or Sounder/Strobe, minimising costs and the needs to have multiple single modules to achieve the same functions.

---

### Multron Systems Pte Ltd

217 Kallang Bahru, Multron Building  
Singapore 339 347

☎ : (65) 6395 6868

📠 : (65) 6395 6869

✉ : info @ multron.com.sg

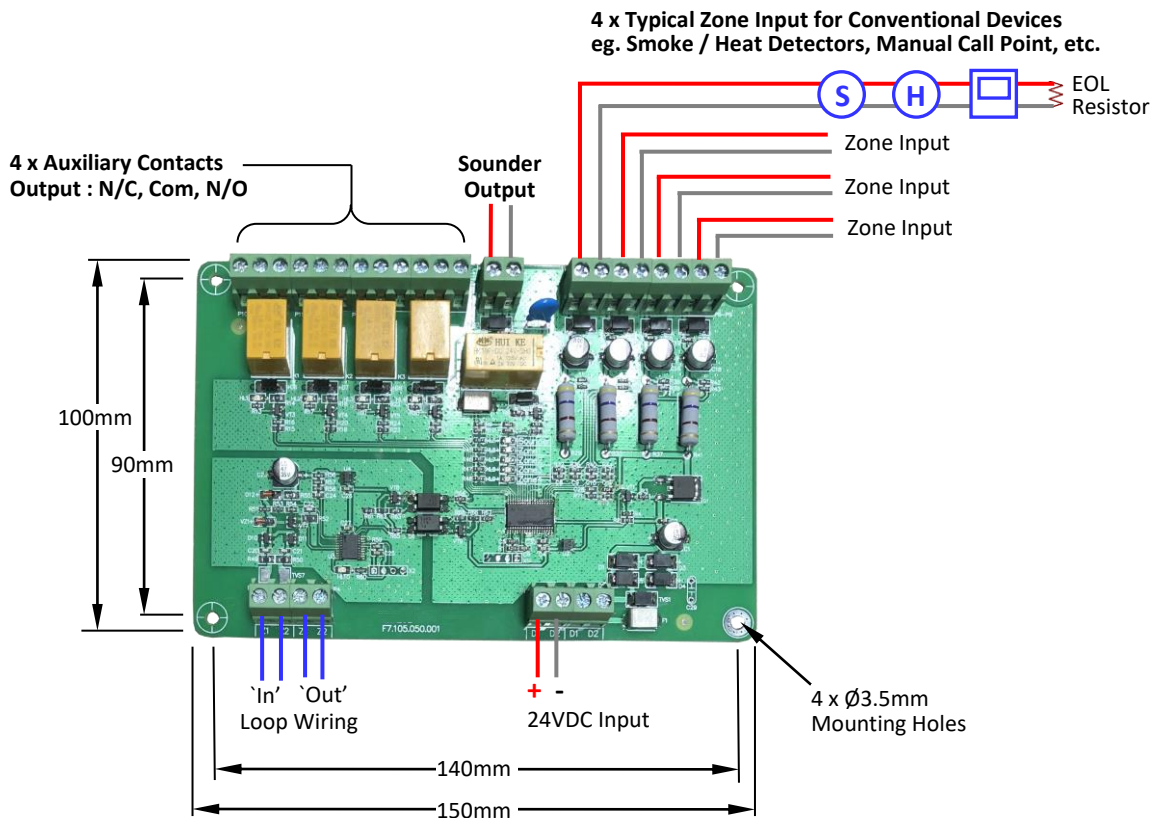
### DATA SHEET

Copyright © The information contained in this Data Sheets remains the property of Multron Systems Pte Ltd, and is not to be altered or reproduce without permission. Multron reserves the right to change any specification without prior notice.

Version : 14-05-2018

### Technical Specification

<b>Bus protocol</b>	Proprietary MX Protocol
<b>Current Consumption</b>	Bus monitoring current: $\leq 1.5\text{mA}$ , Equipment monitoring current: $\leq 25\text{mA}$
<b>Input Voltage</b>	Loop Power: 24VDC (18V~28V)
<b>Active output voltage</b>	30VDC / 500mA
<b>Contact output voltage</b>	30VDC / 2A (per circuit)
<b>Line system</b>	Connected to Fire Alarm Panel with non-polarised two-wire loop bus, 24VDC Power Supply using non-polarised two-wire connection
<b>Encoding method</b>	Electronic coding
<b>Dimension</b>	150mm length x 100mm width
<b>Weight</b>	350g
<b>Operating Temperature</b>	-10°C to +50°C
<b>Humidity</b>	0 to 95% Relative Humidity, Non condensing



#### DATA SHEET