



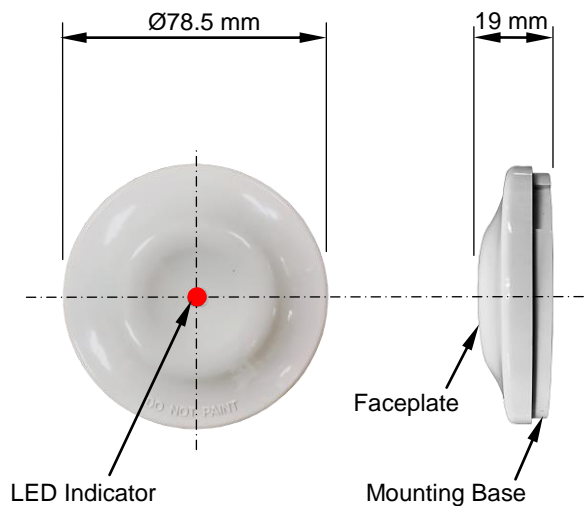
Most Fire Detectors (eg. Smoke or Heat Detectors) are already provided with LED Indicators on the detectors itself to indicate 'Alarm' during fire. However, in many instances the detectors are mounted in concealed spaces or location with access difficulties whereby the LED Indicators are not easily visible. The Detector Remote Alarm Indicator model DET RL-05 provides the solution by having a remote indication corresponding to the detector at a suitable location where it is easily visible to the occupants

Model	DET RL-05	
Operating Voltage	2 VDC	
Power Source	From Detector Remote Output	24VDC
Operating Current	4 ~ 20 mA (Depending on the type of Detectors)	7 mA (Using 24VDC Input, with resistor)
Standby Current	0 mA	
Operating Temp.	- 10 °C to + 50 °C	
Relative Humidity	95%	
Dimensions	Ø78.5 mm x 19 mm	
Weight	Approx. 35g	
Ingress Protection	IP40	

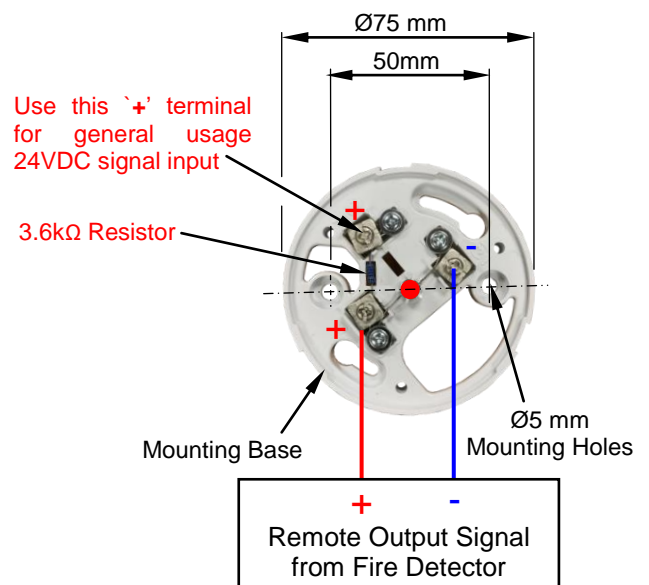


**Detector Remote Alarm Indicator
Model : DET RL-05**

- Electronically designed to suit most major brands of Smoke or Heat Detectors with remote output signal.
- The Detector Remote Indicator uses a round Mounting Base with holes to suit standard BS round conduit boxes, suitable for both wall and ceiling mounting.



Typical Dimension



Typical Termination Diagram

Multron Systems Pte Ltd

217 Kallang Bahru, Multron Building, Singapore 339 347

6395 6868
6395 6869

info@multron.com
www.multron.com

