



This device is designed to complement our Fire Alarm products both technically and aesthetically as an audio & visual warning device.

The Housing is made of red ABS plastic, with a clear light diffuser lens of Plexiglas, with high luminance LEDs as the light source. It has a standard base with cable entries for ease of installation and mounting.

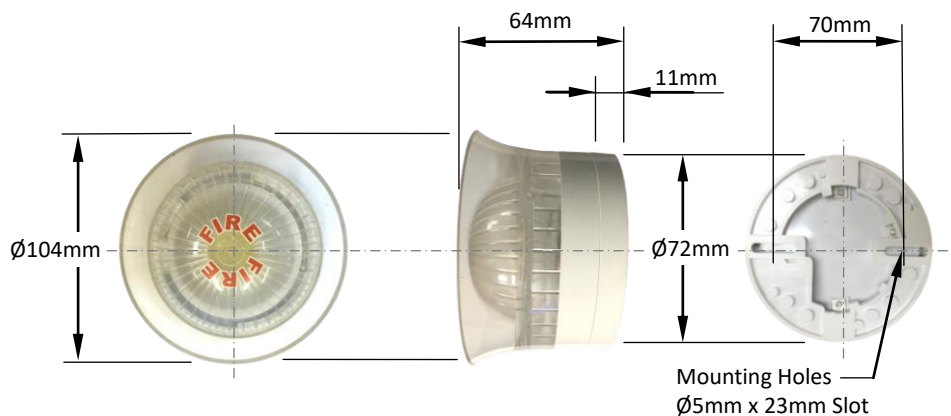
The Electronic Sounder Strobe Light is designed for a wide variety of fire, security and industrial applications where reliability, efficiency and flexibility are of prime importance.



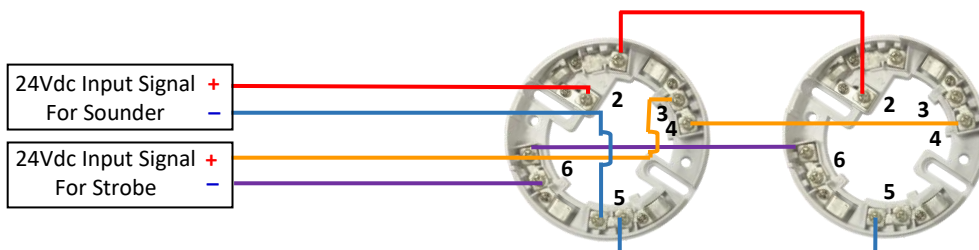
| TECHNICAL SPECIFICATIONS :- |                             |                               |
|-----------------------------|-----------------------------|-------------------------------|
| Operating Voltage           | 24Vdc ±15%                  |                               |
| Sounder Current             | ≤ 7 mA (During Activation)  |                               |
| Strobe Current              | ≤ 20 mA (During Activation) |                               |
| Audible Alarm Output        | 85db at 1m (Pulsating)      |                               |
| Flash Rate                  | 1.64hz (0.61 second)        |                               |
| Operating Temp. Range       | -10°C to +50°C              |                               |
| Relative Humidity           | ≤ 95%, No Condensing        |                               |
| Ingress Protection          | IP52                        |                               |
| Weight                      | 190 gram                    |                               |
| Material of Housing         | ABS Plastic                 |                               |
| Colour                      | AVD-C408W                   | □ White Body, with Clear Lens |
|                             | AVD-C408R                   | ■ Red Body, with Red Lens     |

### Features

- Aesthetically pleasing
- Long-Life, Ultra-Bright LED Light Source
- Easy Installation with Low Maintenance
- Separate Input Signal for the Sounder and Strobe
- Suitable for both Wall or Ceiling Mounted
- Designed in Compliance to BS-EN54-23 Standards



TYPICAL PHYSICAL DIMENSION



TYPICAL TERMINATION DIAGRAM

| Base Termination :- |   |      |
|---------------------|---|------|
| Sounder Input       | + | 2    |
|                     | - | 5    |
| Strobe Input        | + | 3, 4 |
|                     | - | 6    |

### Multron Systems Pte Ltd

217 Kallang Bahru, Multron Building, Singapore 339 347

6395 6868  
6395 6869

info@multron.com  
www.multron.com

