

HSA-300 Series

Battery Operated Smoke Detector

*Now with Long Life Battery
Lifespan of up to 10 years.!!*



Overview


This unit is a photoelectric smoke alarm. Using photoelectric technology, it is more sensitive in detecting slow smoldering fires which generate light smoke, little heat and may smolder for hours before bursting into flames.

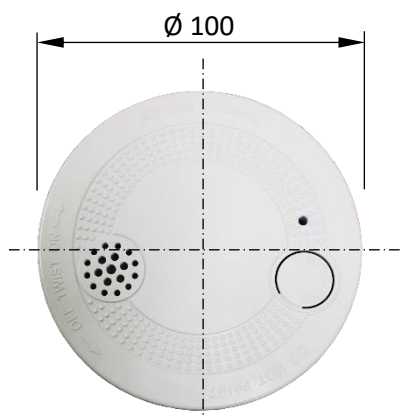
This smoke alarm does not contain any radioactive material. Smoke alarms should be installed in every room (except the bathroom and kitchen), finished attics and basements, making sure that the people at home will be able to hear and respond to the alarm sound

Standard Features

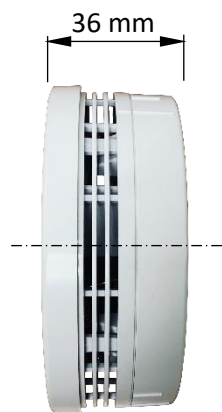
- Photoelectric Sensor providing fast respond to slow smoldering fires caused by smoking, woodstoves or fireplaces
- Test Button and LED indication to allow simple verification of battery and alarm operation
- Warning Beep – sound when alarm battery needs replacement
- Utilizes a state-of-the-art photoelectric sensor
- Loud 85 Decibel Alarm to alert you of danger
- Hush function to reduce unwanted alarms
- Easy Installation
- Low Maintenance
- **Comply to EN 14604 Standard (BSI Tested)**



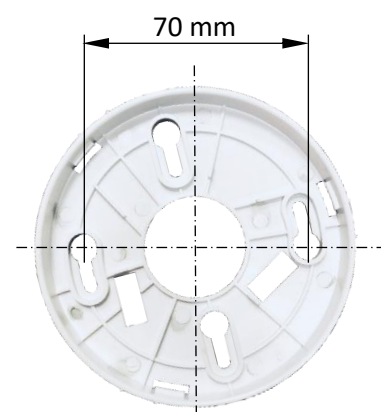
Optional Accessories <i>(For Model HSA-300-W with Wireless Connectivity Features Only)</i>		
Model	Description	
HSA-300-RCU	Wireless Remote Control Unit with Vibration & Flash Alarm LED	



Front View



Side View



Mounting Base

Technical Specifications	Model HSA-300 (Standard)	Model HSA-300-W (with Wireless Connectivity To Activate Adjacent Detectors)
Power	3.6 VDC (Lithium-Ion Battery)	
Battery Lifespan	Up to 10 years	Up to 5 years
Quiescent Current	2uA	5uA
Quiescent Status Indication	Red LED Flashing every 40 s	
Alarm Current	50mA	65 mA
Alarm Status Indication	Red LED Flashing every 0.5 s	
Alarm Sound Level	> 85dB @ 3 metres	
Low Battery Warning	A single beep, synchronized with the quiescent status indication, for 30 Days	
Hush Time (Alarm Condition)	9 min	
Hush Indication (Alarm Condition)	Red LED flashing every 24 s	
Wireless radio interconnection operating devices	Not Applicable	433 MHz
Number of interconnected devices	Not Applicable	No Limit
Maximum Distance (unblocked) between interconnected devices	Not Applicable	500m
Compliance Standards	EN 14604	
Box Size	140mm Ht. x 105mm Length x 45mm Width	
Weight	120g (170g with Box)	
Operating Temperature	0 to 55°C	
Operating Humidity	10 to 95% RH, Non-condensing	

Multron Systems Pte Ltd

217 Kallang Bahru, Multron Building, Singapore 339 347

☎ 6395 6868

✉ info @ multron.com

🖨 6395 6869

🌐 www.multron.com

